



B - (Open Frame) Universal Motors

Applications

- Hair Dryers
- Grass Trimmers
- Business Machines
- Vacuum Power Heads
- Pencil Sharpeners
- Lather Dispensers
- Flexible Shaft Drives
- Hand Tools

Features

- Continuous duty
- Self-limiting brushes
- Thermal protection available
- Lubricated sleeve bearings
- Zinc die cast end brackets

Benefits

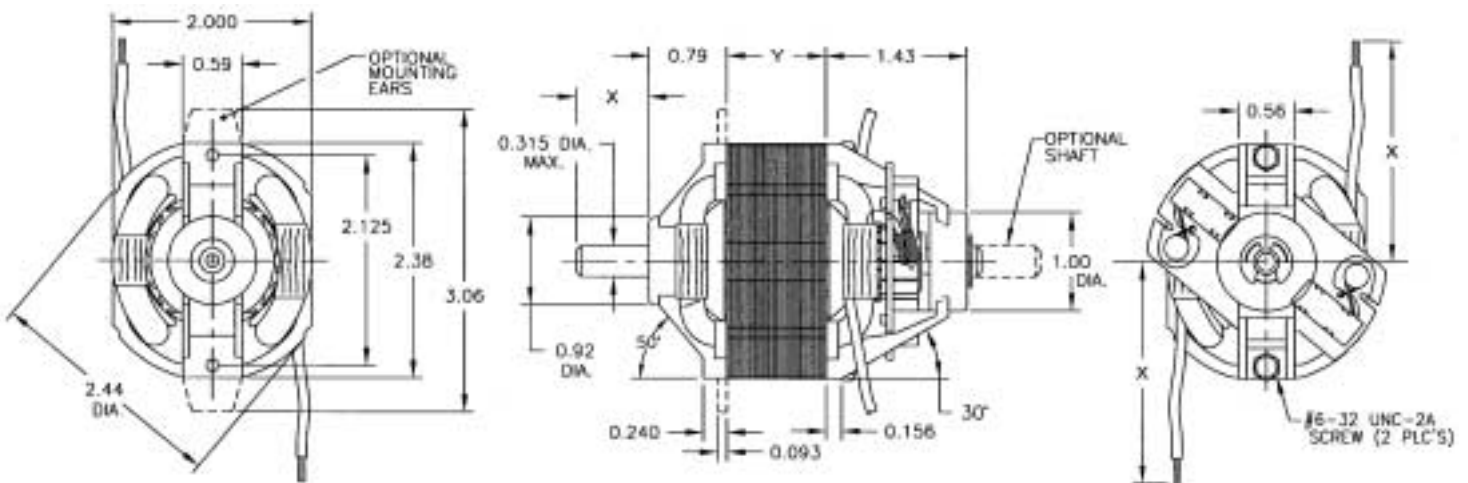
Lightweight, compact design combines economy with a high range of speed/torque combinations.

Electrical

- 115 through 240 V.A.C., 50/60 Hz
- Ratings-up to 1/7 H.P. at 10,000 R.P.M.

Weight

1 to 2 1/2 lbs. (depending on power required)



Y - VARIES WITH POWER REQUIREMENT
X - DIMENSIONS AS REQUIRED

Need a Quote?

To receive a quote for this product that will fit your individual application needs just fill out the form below and either fax or mail it to us. We will contact you with a quote within a couple of days.

Type of unit to be driven: _____

What is field of use: _____

Volume per year: _____

Will UL/CSA approval be required: No UL only Both

What UL or CSA standard covers the application: _____

What voltage: _____

What frequency: _____

What special environmental conditions: _____

What will be the ambient temperature: _____

What operating life is required: _____ Hours _____ Cycles

What is the duty cycle: _____ Time on _____ Time off _____ Duration

Direction of rotation - looking at shaft end: CW CCW

What RPM is required at full load: _____ RPM

What is maximum permissible full load speed tolerance (+/-): _____ RPM

What starting torque is require: oz. in. other

What running torque is require: oz. in. other

How will motor be mounted: _____

What will shaft position be: Up Down Horizontal

What shaft diameter & extension is required: _____ Diameter _____ Extension

Will shaft be special in any way: No Yes

If Yes, describe: _____

Will overload protection be required: No Yes
 Automatic reset 1-Shot

What lead or cord length will be required: _____

Will special color coding be required: No Yes

If Yes, describe: _____

What is the estimated radial thrust load: _____

What is the estimated axial thrust load: _____ Toward motor _____ Away from motor

Company: _____

Address: _____

City: _____ State: _____ Zip: _____

Contact Name: _____ Contact Title: _____

Contact Phone: _____ Email: _____

Describe All Other Special Features & Requirements: _____