



# ES - (Open Frame) Universal Motors



## Applications

- Hair Dryers
- Grass Trimmers
- Business Machines
- Vacuum Power Heads
- Flexible Shaft Drives
- Hand Tools
- Lawn & Garden

## Features

- Continuous duty
- Self-limiting brushes
- Thermal protection available
- Lubricated sleeve bearings
- Zinc die cast end brackets

## Benefits

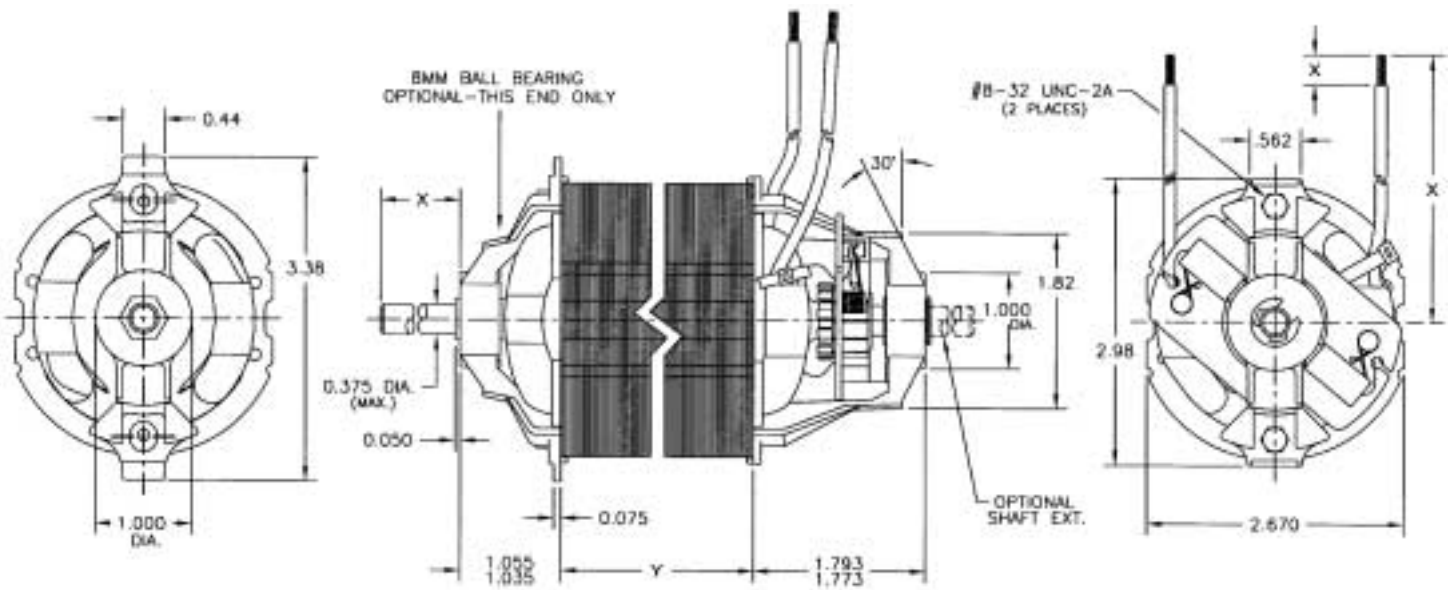
Lightweight, compact design combines economy with a high range of speed/torque combinations.

## Electrical

- 115 through 240 V.A.C., 50/60 Hz
- Ratings-up to 1-1/2 HP at 15,000 R.P.M.

## Weight

1 to 5 lbs. (depending on power required).



Y - VARIES WITH POWER REQUIREMENT  
X - DIMENSIONS AS REQUIRED

VARIOUS BRACKET MOUNTING CONFIGURATIONS AVAILABLE.

931-461-7391 • [www.mamcomotors.com](http://www.mamcomotors.com) • THE MOTOR EXPERTS

8630 Industrial Dr. • Franksville, WI, USA 53126 • Fx: 262-886-4639 • [info@mamcomotors.com](mailto:info@mamcomotors.com)  
SUPERIOR DESIGN TEAM • MANUFACTURING CAPABILITY • STRONG COMMITMENT TO QUALITY

# Need a Quote?

To receive a quote for this product that will fit your individual application needs just fill out the form below and either fax or mail it to us. We will contact you with a quote within a couple of days.

Type of unit to be driven: \_\_\_\_\_

What is field of use: \_\_\_\_\_

Volume per year: \_\_\_\_\_

Will UL/CSA approval be required:  No  UL only  Both

What UL or CSA standard covers the application: \_\_\_\_\_

What voltage: \_\_\_\_\_

What frequency: \_\_\_\_\_

What special environmental conditions: \_\_\_\_\_

What will be the ambient temperature: \_\_\_\_\_

What operating life is required: \_\_\_\_\_ Hours \_\_\_\_\_ Cycles

What is the duty cycle: \_\_\_\_\_ Time on \_\_\_\_\_ Time off \_\_\_\_\_ Duration

Direction of rotation - looking at shaft end:  CW  CCW

What RPM is required at full load: \_\_\_\_\_ RPM

What is maximum permissible full load speed tolerance (+/-): \_\_\_\_\_ RPM

What starting torque is require:  oz. in.  other

What running torque is require:  oz. in.  other

How will motor be mounted: \_\_\_\_\_

What will shaft position be:  Up  Down  Horizontal

What shaft diameter & extension is required: \_\_\_\_\_ Diameter \_\_\_\_\_ Extension

Will shaft be special in any way:  No  Yes

If Yes, describe: \_\_\_\_\_

Will overload protection be required:  No  Yes  
 Automatic reset  1-Shot

What lead lengths will be required: \_\_\_\_\_

Will special color coding be required:  No  Yes

If Yes, describe: \_\_\_\_\_

What is the estimated radial thrust load: \_\_\_\_\_

What is the estimated axial thrust load: \_\_\_\_\_ Toward motor \_\_\_\_\_ Away from motor

Company: \_\_\_\_\_

Address: \_\_\_\_\_

City: \_\_\_\_\_ State: \_\_\_\_\_ Zip: \_\_\_\_\_

Contact Name: \_\_\_\_\_ Contact Title: \_\_\_\_\_

Contact Phone: \_\_\_\_\_ Email: \_\_\_\_\_

Describe All Other Special Features & Requirements: \_\_\_\_\_