

BP - Permanent Magnet FHP Motors



Applications

- Trolling Motors & Winches
- Pumps
- Blowers
- Lawn Edgers
- Hedge Trimmers
- Business Machines & Equipment
- Home Appliances
- Power Tools
- Recreational & Marine Applications
- Compressors

Features

- Face or side mount
- Lubricated sleeve or ball bearings
- Ceramic magnets
- Optional machined register available to facilitate mounting
- Open or closed ventilation (fan available)

Benefits

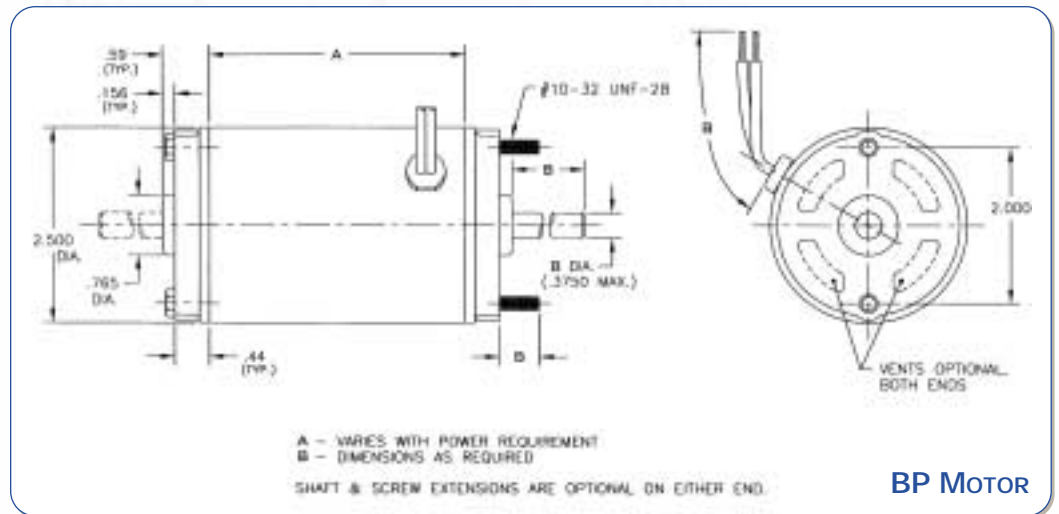
Flat speed/torque characteristics with very high starting torque and low no-load speeds. Economical in design and operation. Reversible.

Electrical

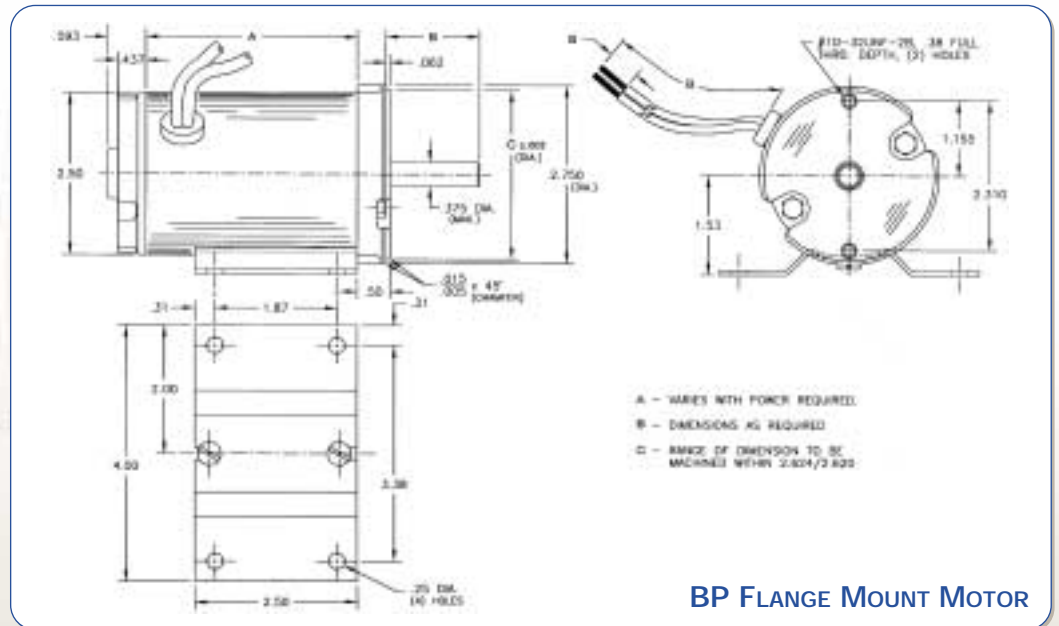
- 12 V.D.C. - 220 V.D.C.
- Rating-up to 1/5 H.P.

Weight

2-1/2 - 4 lbs. (depending on power output required)



BP MOTOR



BP FLANGE MOUNT MOTOR

Need a Quote?

To receive a quote for this product that will fit your individual application needs just fill out the form below and either fax or mail it to us. We will contact you with a quote within a couple of days.

Type of unit to be driven: _____

What is field of use: _____

Volume per year: _____

Will UL/CSA approval be required: No UL only Both

What UL or CSA standard covers the application: _____

What voltage: _____ Power source: _____

What special environmental conditions: _____

What will be the ambient temperature: _____

What operating life is required: _____ Hours _____ Cycles

What is the duty cycle: _____ Time on _____ Time off _____ Duration

Direction of rotation - looking at shaft end: CW CCW

Direction of air flow: Out shaft extension end In shaft extension end Totally enclosed

What RPM is required at full load: _____ RPM

What is maximum permissible full load speed tolerance (+/-): _____ RPM

What starting torque is require: oz. in. other

What running torque is require: oz. in. other

How will motor be mounted: _____

What will shaft position be: Up Down Horizontal

What shaft diameter & extension is required: _____ Diameter _____ Extension

Will shaft be special in any way: No Yes

If Yes, describe: _____

Will overload protection be required: No Yes

What special housing finish is required: None Yes, required

If required, describe: _____

What lead or cord length will be required: _____

Will special color coding be required: No Yes

If Yes, describe: _____

What is the estimated radial thrust load: _____

What is the estimated axial thrust load: _____ Toward motor _____ Away from motor

What are the size limitations: _____

What are the weight limitations: _____

Company: _____

Address: _____

City: _____ State: _____ Zip: _____

Contact Name: _____ Contact Title: _____

Contact Phone: _____ Email: _____

Describe All Other Special Features & Requirements: _____